



Welcome to the GSSF League Match Program!

The Indoor Range Match Booklet contains pertinent GSSF League Match information:

- **Match Guidelines**
- **Range Benefits**
- **Safety Rules**
- **GSSF Registration/Application Liability Form**
- **GSSF League Courses of Fire**
- **GSSF Score Sheet**
- **Lewis Prize Allocation System**
- **Pistol Drawing Rules**
- **Youth Handgun Safety Act Notice**

PLEASE RETAIN THIS BOOKLET FOR FUTURE LEAGUE MATCH SERIES.

You may make copies of the GSSF Registration/Application Liability Form and the GSSF Score Sheet as needed.

PLEASE RETURN ALL GSSF MEMBERSHIP REGISTRATION/LIABILITY FORMS AND SCORE SHEETS TO MY ATTENTION IMMEDIATELY AFTER EACH MONTHLY MATCH.

This is necessary in order to process new/renewal memberships in a timely manner, as well as ensure that these individuals receive their New Member/ Renewal information and an invitation to your next series.

Additionally, please return final match results with 1st, 2nd, and 3rd place in each of A, B, and C class, the GLOCK pistol give-away winner, as well as any 500 & 250(perfect) scores. These winners and your range will be acknowledged on the GSSF website, and possibly in the next issue of ***THE GLOCK REPORT***. Check out www.gssfonline.com for final results and a schedule of upcoming matches.

Participating in the GLOCK Range Program entitles you to a free GLOCK Armorers Course. **WE STRONGLY RECOMMEND THAT YOUR GLOCK ARMORER BE AVAILABLE AT EACH MATCH.**

We appreciate your support of the GSSF League Matches and the shooting sports. Your participation in these events encourages current shooters to remain active and boosts new shooter participation by enhancing the image of firearms and reinforcing the positive aspects of ownership and sport shooting. Your encouragement and participation is what will keep our shooting sports alive. Thank you for promoting safe and responsible firearms handling and shooting for everyone.

If you have any questions, please contact me at [or 770-319-4780](tel:770-319-4780) or Stephanie.stone@glock.us

Good shooting to all!

GSSF Indoor League Coordinator – Stephanie Stone

GSSF LEAGUE MATCH GUIDELINES

Approximately one month prior to the first match, the Host Range will receive everything required to administer the match (targets, score sheets, GSSF Registration/Liability Release forms, plaques, prizes, and raffle gun/gun certificate). Copies of the score sheets and Registration/Liability Release forms may be created by Host Range as needed.

The Host Range is responsible for administering the series, as a GLOCK representative may not always be available to attend the competitions. **We strongly recommend that the Host Range GLOCK armorer be available at each match.**

Our primary goal is to insure that the Host Range conducts a safe and consistent match for the GSSF members. Please refer to the safety rules in this manual for guidelines.

When conducting registration, **ALL competitors must be GSSF members** – Sign-up and payment of fees may be done at the time of registration. Membership is for a designated time period. You may find some members who wish to renew, as well. This may also be done on the day of the match. We accept check, money order, Visa, MasterCard, or Discover. **Do not send cash through the mail.** If the member pays with cash, please convert it to another form of payment before sending it to us.

A GSSF membership card is NOT necessary to compete – we abide by an honor code regarding membership.

IMMEDIATELY AFTER EACH MONTHLY MATCH IS COMPLETED, ALL GSSF REGISTRATION/LIABILITY FORMS (new members, renewals, and current) ALONG WITH APPROPRIATE \$\$\$ ARE TO BE SENT TO:

GLOCK Professional, Inc.
Attn: Indoor League Coordinator
Stephanie Stone
6000 Highlands Parkway
Smyrna, GA 30082

We need to process the GSSF memberships quickly as well as maintain the Liability Release forms. In addition, these registrations are used in preparing invitations to the next match.

Following the final match of the three match series, please forward to me:

- Furnish winners names of class A, B, C, Unlimited, special recognition categories and the give-away pistol to GLOCK for publication using the form provided in the paperwork.
- Any perfect 500 or 250 in POCKET scores. The range must measure 25 yards to qualify for the 500 or 15 yards for the 250 club. A patch will be issued to those who qualify.

Competitors must shoot in two out of the three matches in order to qualify for prizes. The GLOCK pistol is awarded in a random prize drawing after completion of all three matches. Each participant who attends two or more matches is allotted a chance to win the pistol. Competitors who shoot multiple runs may have their name entered once for each completed run. It is required that the winner is drawn by an impartial third party. Make-up dates can be offered to competitors at the discretion of the HOST in special circumstances.

GSSF LEAGUE MATCH GUIDELINES (Continued)

GLOCK Professional, Inc. does not accept match fees – these are to be administered and retained by the Host Range. We recommended that a fee of \$10.00 - \$20.00 per person be charged. Some Hosts allow a competitor to shoot multiple pistols in a match. A reduced fee is recommended for this. Participants may shoot more than one pistol at each event. The course of fire may be shot more than once per pistol. For each division ONLY the first course of fire will be placed in the rankings and ONLY the first course of fire will be eligible for the 500 or the 250(Pocket GLOCK) Club ranking. You may shoot an official entry in all of the divisions. Any additional entries per a division will count for additional entries of the random drawing, but not for the official results.

Each range has the option to allow only stock GLOCKS or to include models that have been modified with “all the bells and whistles on them.” **If altered weapons are allowed, they must be placed in the Unlimited Division.**

The host **MUST** use one of the courses of fire provided by GLOCK and must use the same course of fire throughout the Series.

Two targets are used per person – usually 30 rounds on one target and 20 rounds on the other. There are no penalties for misses. Simply add X's, 10's, 8's, and 5's, then multiply by appropriate number and you have the final score. Remember, the benefit of the doubt ALWAYS GOES TO THE SHOOTER.

**Reshoot: When a competitor's score cannot be recorded or a non-shooter induced malfunction occurs, a Range Officer or the Range Master will allow the competitor to shoot the stage again for score.

Finally, we want to promote GLOCK Professional, Inc. and the shooting sports by ensuring that all competitors, whether new to the shooting sports or not, enjoy the competition and their shooting experience. Consistency, quality, and a good attitude will bring them back for more.

Should you have any questions, please call me at 770-319-4780.

Thanks,

GSSF Indoor League Coordinator
Stephanie Stone
Email: stephanie.stone@glock.us

GSSF LEAGUE MATCH SAFETY RULES

- THESE SAFETY RULES WILL BE REVIEWED BY RANGE OFFICERS (ROs), AND THE RANGE MASTER WILL BRIEF COMPETITORS.
- WELCOME TO THE _____ GSSF LEAGUE MATCH.
(Name of your range)
- INTRODUCE YOURSELF.
- THIS IS YOUR BRIEFING:
 - IPSC/USPSA PROCEDURES GENERALLY USED.

-- SAFETY --

- "COLD RANGE". FIREARMS MUST BE UNLOADED AT ALL TIMES.
 - IF YOU HAVE A LOADED FIREARM, LEAVE IT ALONE NOW -- SEE ME AFTER THE BRIEFING.
 - "HOT" GUNS USUALLY BY LAW ENFORCEMENT OFFICERS AND/OR CIVILIANS WITH CONCEALED FIREARMS PERMITS.
 - UNINTENTIONAL DISCHARGE GROUNDS FOR DISQUALIFICATION AND EXPULSION FROM THE RANGES.
- OBEY THE 4 BASIC SAFETY RULES:
 - HANDLE ALL FIREARMS AS IF THEY WERE LOADED;
 - ALWAYS KEEP THE FIREARM POINTED IN A SAFE DIRECTION;
 - KEEP YOUR FINGER OUTSIDE OF THE FIREARM'S TRIGGER GUARD AND OFF THE TRIGGER, UNTIL YOU HAVE ALIGNED THE FIREARM'S SIGHTS ON A SAFE TARGET AND YOU HAVE MADE THE DECISION TO FIRE.
 - ALWAYS BE CERTAIN THAT YOUR TARGET AND THE SURROUNDING AREA ARE SAFE BEFORE FIRING.
- EYE AND EAR PROTECTION ARE MANDATORY, FOR ALL SHOOTERS, RANGE OFFICERS, AND SPECTATORS.
 - WATCH EACH OTHER ON THIS POINT.

- DO NOT HANDLE FIREARMS EXCEPT:
 - IN A DESIGNATED "SAFETY ZONE"; (PARKING LOT IS NOT A SAFETY ZONE); OR
 - ON THE FIRING LINE, UNDER THE DIRECT SUPERVISION OF A RANGE OFFICER

-- SAFETY ZONES --

- POINT OUT SAFETY ZONES
 - USE SAFETY ZONES FOR ALL GUN HANDLING
 - DO NOT HANDLE AMMUNITION WHILE IN A SAFETY ZONE.
 - LOAD OR UNLOAD MAGAZINES ANYWHERE EXCEPT THE SAFETY ZONES.

- "SAFE DIRECTION" -

- EXPLAIN "180 DEGREE PLANE".
- TARGETS DOWNRANGE OF THE 180.
- PEOPLE UPRANGE OF THE 180.
 - 180 VIOLATIONS INCUR DISQUALIFICATION AND EXPULSION PENALTIES.
- "SAFE DIRECTION" ABOUT 45 DEGREES EITHER SIDE OF TARGETS, OUT AWAY FROM YOUR BODY, AND BELOW TOP OF BACKSTOP.
- IF RO THINKS YOU ARE ABOUT TO VIOLATE 180, WILL YELL "MUZZLE DOWNRANGE", "DOWNRANGE", "WATCH YOUR MUZZLE", ETC.

-- THE "DON'TS" --

- DO NOT "PLAY" WITH THE FIREARM.
- DO NOT PUT ANY FIREARM IN YOUR BELT, OR IN A POCKET.
- DO NOT HOLSTER A LOADED FIREARM.
 - THE ONLY TIME COMPETITOR WILL HAVE A LOADED FIREARM WILL BE;
 - IN HANDS, AND
 - WILL HAVE BEEN LOADED AT THE DIRECTION OF RANGE OFFICER.
- THERE ARE NO "SPEED RELOADS".

- COMPETITOR WILL BE ABLE TO LOAD ENOUGH ROUNDS TO COMPLETE EACH STRING OF FIRE PROVIDED THE COMPETITOR DOES NOT MISS TOO MUCH.

-- HOLSTERS AND ALTERNATIVE METHODS OF FIREARMS TRANSPORT ABOUT THE RANGE --

- COME TO THE FIRING LINE WITH FIREARM UNLOADED; NOTHING IN MAGAZINE WELL AND CHAMBER; SLIDE LOCKED TO THE REAR, EITHER HOLSTERED OR IN ANOTHER "SAFE CARRY" MODE.
 - OTHER "SAFE CARRY" MODES ARE:
 - UNLOADED, SLIDE DOWN, AND IN A CLOSED "GLOCK BOX".
 - UNLOADED, IN A CLOSED "GUN RUG"; SLIDE LOCKED OPEN IF "GUN RUG" LARGE ENOUGH, SLIDE DOWN, STRIKER DOWN ("GLOCK BOX") IF NOT LARGE ENOUGH.
 - UNLOADED, SLIDE OPEN AND IN A CLOSED "GUN BAG".
- SHOULDER AND CROSSDRAW HOLSTERS NOT ALLOWED.

-- FAMILIARIZATION --

- PROPER SIGHT ALIGNMENT.
- PROPER TRIGGER CONTROL.
- COMMON ERROR; FOCUSING ON TARGETS RATHER THAN FRONT SIGHT.
- PAY ATTENTION TO TRIGGER RESET BETWEEN SHOTS.

-- MATCH ADMINISTRATION --

- PUT NAME ON ALL SCORE SHEETS BEFORE GIVING THEM TO RANGE OFFICERS.
- RANGE OFFICERS CALL SHOOTERS TO THE LINE IN THE ORDER THAT THEY RECEIVE SCORESHEETS.
 - IF SCORESHEET COMES TO THE TOP AND COMPETITOR IS NOT PRESENT, SCORESHEET WILL BE MOVED TO THE BOTTOM OF THE STACK.

-- MAGAZINES AND LOADED ROUND CAPACITY LIMITATIONS --

- GET THROUGH MATCH WITHOUT RELOADING MAGAZINES , IF POSSIBLE
 - IF SUFFICIENT MAGAZINES NOT AVAILABLE, TELL RANGE OFFICER AT BEGINNING. THEN, EITHER;
 - RANGE OFFICER WILL PAUSE WHILE YOU RELOAD MAGAZINE(S), OR
 - IF AVAILABLE, A FRIEND OF THE COMPETITOR OR AN ASSISTANT RANGE OFFICER CAN RELOAD MAGAZINE(S) WHILE COMPETITOR SHOOTS OTHER MAGAZINES.
- COMPETITOR MAY LOAD WITH A MAXIMUM OF 10 ROUNDS IN THE MAGAZINE. IT IS RECOMMENDED THAT 10 ROUNDS BE LOADED FOR STRINGS OF TEN AND 5 ROUNDS BE LOADED FOR STRINGS OF FIVE.

-- WHILE ON THE FIRING LINE --

- AGAIN, “COLD” RANGE.
 - HANDLE FIREARM, AND LOAD FIREARM, ONLY AT DIRECTION OF, AND UNDER SUPERVISION OF, RANGE OFFICER.
- FIRING LINE PROCEDURES VARY FROM ONE HOST RANGE TO ANOTHER.
- THOSE DESCRIBED BELOW ARE USED IN IPSC/USPSA MATCHES.
- YOU WILL BE CALLED TO THE LINE.
 - BRING EVERYTHING YOU WILL NEED.
- RANGE OFFICER WILL ASK;
 - “DO YOU UNDERSTAND THE COURSE OF FIRE? DO YOU HAVE ANY QUESTIONS?”.
- NEXT; RANGE OFFICER WILL SAY;
 - “MAKE READY”.
 - COMPETITOR MAY;

- DRAW THE FIREARM; AND
- TAKE A QUICK "SIGHT PICTURE; AND
- LOAD WITH 10 ROUNDS OR 5 ROUNDS (DEPENDING ON THE STRING); AND
- ASSUME THE "START" POSITION.
 - "START" POSITION IS "LOW READY"; MUZZLE DOWN ABOUT 45 DEGREES TOWARDS GROUND, FINGER OUTSIDE TRIGGER GUARD.
- NEXT; RANGE OFFICER WILL ASK;
 - "ARE YOU READY?"
 - IF NOT READY, COMPETITOR SHOULD LOUDLY SAY "NOT READY".
 - IF READY, COMPETITOR SHOULD EITHER SAY "YES" OR NOD HEAD.
- WHEN RANGE OFFICER BELIEVES COMPETITOR IS READY, RANGE OFFICER WILL SAY:
 - "STANDBY"
- ONE TO FOUR SECONDS AFTER "STANDBY", START SIGNAL WILL BE GIVEN; USUALLY BY ELECTRONIC BUZZER."
- WHEN COMPETITOR IS APPARENTLY FINISHED, RANGE OFFICER WILL SAY:
 - "IF YOU ARE FINISHED, UNLOAD AND SHOW CLEAR"
 - WHILE AT ALL TIMES KEEPING THE FIREARM POINTED IN A SAFE, DOWNRANGE DIRECTION;
 - REMOVE THE MAGAZINE FROM THE FIREARM; AND
 - CLEAR THE CHAMBER BY CYCLING THE SLIDE MANUALLY; AND
 - PULL THE TRIGGER TO DOUBLY ENSURE THAT THE CHAMBER IS EMPTY; AND
 - LOCK THE SLIDE OPEN (UNLESS THE FIREARM IS TO BE INSERTED IN A "GLOCK BOX" OR "GUN RUG" THAT REQUIRES THE SLIDE TO BE FORWARD, STRIKER DOWN ON AN EMPTY CHAMBER) ; AND

- HOLSTER THE FIREARM (OR OTHERWISE SECURE THE FIREARM BY PLACING IT IN A “GLOCK BOX”, “GUN RUG” OR “GUN BAG”, AS THE CASE MAY BE).
 - COMPETITOR MUST ALWAYS SECURE FIREARM BEFORE BENDING OVER TO PICK ANYTHING (MAGAZINES, EJECTED LIVE ROUNDS, ETC.) UP.
- COMPETITOR MAY THEN PROCEED TO A SAFETY ZONE TO TRANSFER THE UNLOADED FIREARM INTO A SAFE TRANSPORTATION MODE FOR TRANSPORT AWAY FROM THE RANGE IN ACCORDANCE WITH APPLICABLE LAWS.

-- SCORING --

- ONCE THE FIREARM IS SECURE, SHOOTER MAY ACCOMPANY RANGE OFFICER AND OBSERVE WHILE RANGE OFFICER SCORES THE TARGETS AND RECORDS THE SCORES.
 - IT IS THE COMPETITOR’S RESPONSIBILITY TO ACCOMPANY THE RANGE OFFICER WHILE TARGETS ARE SCORED. RANGE OFFICER IS NOT RESPONSIBLE FOR CONFIRMING THE COMPETITOR’S SCORE.
 - IF COMPETITOR AGREES WITH SCORING OF TARGETS AND THAT TIMES AND SCORES HAVE BEEN RECORDED CORRECTLY ON SCORESHEET, COMPETITOR MAY INITIAL SCORESHEET.

**Reshoot: When a competitor’s score cannot be recorded or a non-shooter induced malfunction occurs, a Range Officer or the Range Master will allow the competitor to shoot the stage again for score.

• INITIALED SCORESHEETS ARE “FINAL”.

- IF DISAGREEMENT BETWEEN COMPETITOR AND THE RANGE OFFICER AS TO THE SCORING/RECORDING OF TARGET(S), OR SCORESHEET, COMPETITOR NOT OBLIGATED TO INITIAL SCORESHEET.
 - RANGE OFFICER WILL REMOVE THE DISPUTED TARGET(S) AND SET IT/THEM, AND THE ASSOCIATED SCORESHEET, ASIDE FOR SCORING BY RANGE MASTER.
 - DISPUTED TARGET(S) WILL BE REPLACED SO THAT THE MATCH MAY PROCEED.
 - RANGE MASTER’S DETERMINATION AS TO THE SCORING OF THE DISPUTED TARGET(S) WILL BE FINAL.

-- BRASS --

THE FOLLOWING APPLIES AT THE DISCRETION OF THE HOST RANGE:

- EXPENDED BRASS MAY NOT BE RECOVERED.
 - PICKING IT UP SLOWS THE MATCH, AND
 - THE BRASS IS PARTIAL COMPENSATION TO VOLUNTEER RANGE OFFICERS.
- BE SAFE, HAVE FUN, IN THAT ORDER.
- ARE THERE ANY QUESTIONS?



LEWIS PRIZE ALLOCATION SYSTEM

The GSSF League uses the “Lewis” prize allocation system to distribute awards as equitably as possible.

During a League competition, where there will be more than one match, the scores are totaled and “averaged” at the end of the 3-match series. If a shooter shoots in only 2 of the 3 matches, their scores are totaled and divided by 2. If they shoot in all 3 matches, their highest 2 scores are totaled and divided by 2.

The result is one final score for each shooter, which is then listed in the overall order in which they finished from highest to lowest. The overall list is then divided into thirds (i.e., the top one-third is “A” class, the second one-third is “B” class, and the third one-third is “C” class).

Plaques will be awarded to the top competitor of each class. In a group of 15 competitors, the winners would be numbers 1, 6, and 11. If the number is not divisible by 3, such as 22, then divide the number by 3 and award plaques to numbers 1, 8, and 15, leaving the largest group in the “C” category.



Rev. 11/2017

HOW TO SCORE AN INDOOR LEAGUE MATCH SERIES

1. Participants may shoot more than 1 pistol at each event. The course of fire may be shot more than once per pistol. For each division ONLY the first course of fire will be placed in the rankings and ONLY the first course of fire will be eligible for the 500/250 Club ranking.
2. Allocate points for each shot as follows:
 - 10 points = X Ring
 - 10 points = 10" Ring
 - 8 points = 8" Ring
 - 5 points = any other bullet mark on the target
 If a shot cuts the line, the higher point value is given.
 There is a maximum of 500 points.
3. For each match, standing is determined by listing participants in order from highest to lowest score.
4. At the end of the 3 matches in the series, the winner of the series is determined as follows:
 - a. Each participant must shoot in 2 of the 3 matches to place in the final standings. If the shooter is shooting more than 1 division, he/she must shoot each division at 2 or more matches to receive placements in multiple divisions. If a participant shoots 2 matches in the same division using different model GLOCKs, they place once in the final results for that division. Refer to paragraph 1 of this document.
 - b. If a shooter shot at all 3 matches, the 2 best scores are selected. If a participant shot at 2 matches, use those 2 scores.
 - c. Add the 2 scores together and divide by 2. DO NOT ROUND THE RESULTS. This is the shooter's final score.
 - d. If 2 participants have the exact same score, count Xs to determine which shooter places first in the rankings.
5. ****Reshoot:** When a competitor's score cannot be recorded or a non-shooter induced malfunction occurs, a Range Officer or the Range Master will allow the competitor to shoot the stage again for score.
6. The Lewis Prize Allocation System
 - a. Rank all final standings in order from highest to lowest score.
 - b. Divide the number of final participants by 3. This will give you Class A, Class B, and Class C. If the number does not divide equally, the remainder will be added to Class C.
 - For example, if you have 23 people listed in the final standings. $23/3 = 7$ with 2 left over. In this example, Class A consists of shooters 1-7. Class B consists of shooters 8-14. Class C consists of shooters 15-23.
 - c. In case of a tie - If the top scores and x ring count result in a tie, use the average score of all three events. If all three scores for the shooters average the same, use the x ring count for all three matches. If one shooter only shot two events and the other shot all three, the shooter who has the highest aggregate score will be the winner. If a tie still results, the host has the right to decide another appropriate manner to break the tie.
7. Awarding Prizes
 - a. The first place winner of A, B, C, Unlimited, **special recognition categories** (please specify what specialty divisions you need a plaque for) receive a plaque.
 - b. Master Shooters are not eligible for the various subcategories offered.
 - c. The firearm is ALWAYS given away in a lottery consisting of all shooters who shot 2 of the 3 matches. We strongly suggest that selection of the winner be done by an impartial third party.
 - d. The remaining prizes are to be distributed fairly among the participants. Two suggested methods:
 - After drawing for the firearm, draw for the rest of the prizes from the pool of participants.
 - Distribute the rest of the prizes among the top 3 winners of Class A, B and C.



GLOCK SPORT SHOOTING FOUNDATION LEAGUE MATCH

The GLOCK Sport Shooting Foundation (GSSF) League is fostering shooting matches for GSSF members at participating ranges around the nation. GLOCK, Inc. supports recreational shooting to enhance and improve the image of competitive stock gun sport shooting among firearm owners and the general public. These matches also will promote firearms safety and safety awareness by instructing firearm owners in safety and handling techniques.

Range Benefits:

- Increased Range Visibility
- Increased Range Traffic
- Increased Customer Range Time
- Increased GLOCK Pistol Sales
- Increased Profits
- GSSF League Prize Package

Prize Package Includes:

1 small-framed GLOCK pistol	@ \$403 =	403
8 winners' plaques	@ 23=	184
3 field knives	@ 33=	99
3 t-shirts	@ 8=	24
6 caps	@ 13=	78
		78
		\$788 value

**** We can do travel coffee cups in lieu of plaques but they will only have GSSF Indoor league on them and no specific match info or what category the participant won in *** Please specify on your contract if you would like plaques or the travel mugs. *****

PLUS:

- > GLOCK will advertise Match dates to GSSF members within your mailing area
- > GLOCK will provide targets (1 box of 200)
- > Names of winners will be published in *The GLOCK Report* and on www.gssfonline.com

WHEN A MATCH IS SCHEDULED, GLOCK WILL:

- Advertise Match dates to GSSF members within that area before the start date
- Ship Match prize package
- Supply GSSF Registration/Membership applications
- Supply a Course of Fire and targets
- Publish Match and Match winners in *The GLOCK Report*, and on the www.gssfonline.com upon completion and return of the final match results by the range.



WHEN A MATCH IS SCHEDULED, RANGE WILL:

Submit a signed and completed contract with dates and payment in full and only then will the match series be posted.

Advertise Match to the Ranges local audience

Register/Sign-up GSSF members at door

Administer Match following established GSSF safety rules

Score Match as directed by GSSF

Award Prizes using the Lewis System for the Stock Class with all other category winners based on performance.

Return ALL GSSF Membership/Registration forms to GLOCK immediately after every monthly match.

Furnish winners names of class A, B, C, Unlimited, special recognition categories and the give-away pistol to GLOCK for publication using the form provided in the paperwork.

GENERAL INFORMATION

GSSF Membership is required of all competitors. New Individual memberships are **\$35.00** the first year for non-Guardian and **\$25.00** the first year for Guardians; renewals are **\$25.00** the first year. Guardians are those who are in a “Hazardous public service” position, their equivalents in private industry, or eligible retirees thereof. Memberships may be obtained from GLOCK, INC., by mail, publication and/or online or at the match with check, money order, Visa, MasterCard, or Discover credit cards.

The participating Range will extend the League Match over a 3-month period and charge each member-shooter from \$10 - \$20 per match, which the Range will retain. Competitors must compete in at least 2 of 3 matches to qualify for prizes. A copy of the Course of Fire is provided with the Match Agreement. Scoring for STOCK division will be done on the Lewis Scoring System, and Plaques awarded to First Place A, B, and C Class winners. Unlimited division is based entirely on performance, with one Plaque awarded to first place. **Special recognition plaques will be award to the following, if applicable; First Place Lady, First Place Senior, and First Place Junior.** *** (PLEASE SPECIFY ON YOUR CONTRACT WHAT SPECIAL RECONITION PLAQUES YOU NEED) *** Remaining prizes may be awarded to other shooters. The prize pistol will be awarded randomly by drawing, raffle or other means. Range agrees to abide by GSSF League Match Safety Rules, a copy of which is provided in the Indoor Range Match Package.

Thanks,

GSSF Indoor League Coordinator
Stephanie Stone
Email: stephanie.stone@glock.us



MATCH AGREEMENT

The host, _____, has agreed to be the host of the GLOCK Sport Shooting Foundation (GSSF) League Match Series on _____, _____, and _____ (dates), from _____ (AM/PM) to _____ (AM/PM)

Range Host Contacts (please list two range staff/employees in charge of administering match)

Name _____ Phone _____ E-Mail _____

Name _____ Phone _____ E-Mail _____

Range Address _____

Choice of small frame GLOCK (recommended – faster turnaround) or Award Certificate for match:
_____ (Specify model)

GSSF Indoor League Coordinator must confirm date preferences.

THE HOST AGREES TO THE FOLLOWING:

1. Remit \$500 administrative fee. **Without a paid, signed contract the Range Host understands that no match dates will be posted and no merchandise or supplies will be shipped.**
2. To advertise or otherwise promote the Match to assure maximum participation during three (3) Matches over a 3-month period.
3. To register/signup GSSF members at the door. GSSF Membership is required of all competitors. GSSF Membership forms and Score sheets must be returned immediately to GLOCK after every monthly match.
4. Competitors must compete in at least two (2) of the three (3) Matches to qualify for prizes. The Range may charge a fee (\$10-20) for each Match, which they retain.
5. Follow the GLOCK Course of Fire and use targets provided.
6. Administer the Match following established GSSF Safety Rules. Require that all Range Officers, competitors, and spectators present at the Match sign a Liability Release form supplied by the GSSF League. Any individual refusing to sign the Liability Release will be required to leave the Match premises.
7. Score the Match using the Lewis System.
8. Award prizes. We require that selection of the winner(s) be administered by an impartial third party.
9. Furnish winners names of class A, class B, class C, Unlimited, special recognition categories *** (PLEASE SPECIFY ON YOUR CONTRACT WHAT SPECIAL RECONITION PLAQUES YOU NEED) *** and the give-away pistol to GLOCK for publication using the form provided in the paperwork.
10. Return ALL GSSF Membership/Registration forms to GLOCK immediately after every monthly match.



**** We can do travel coffee cups in lieu of plaques but they will only have GSSF Indoor league on them and no specific match info or what category the participant won in *** Please specify on your contract if you would like plaques or the travel mugs. ***** _____plaques _____travel mug

GLOCK AGREES TO THE FOLLOWING:

1. Advertise Match dates to GSSF members within your local area.
2. Ship Match prize package.
3. Supply GSSF Registration/Membership applications.
4. Supply a Course of Fire and targets.
5. Supply GSSF League Safety Rules.
6. Supply advertising poster for in store promotional use.
7. Publish Series Winners in The GLOCK Report and on www.gssfonline.com

Agreed: _____ Agreed: _____
 Signed on behalf of the Range GSSF Indoor League Coordinator – Stephanie Stone

Name: _____ Name: _____
 Name, typed or printed Stephanie Stone

Date: _____ Date: _____



**GLOCK SPORT SHOOTING FOUNDATION
LEAGUE MATCH
Range Program Nonparticipant**

The GLOCK Sport Shooting Foundation (GSSF) League is fostering shooting matches for GSSF members at participating ranges around the nation. GLOCK, Inc. supports recreational shooting to enhance and improve the image of competitive stock gun sport shooting among firearm owners and the general public. These matches also will promote firearms safety and safety awareness by instructing firearm owners in safety and handling techniques.

Range Benefits:

- Increased Range Visibility
- Increased Range Traffic
- Increased Customer Range Time
- Increased GLOCK Pistol Sales
- Increased Profits
- GSSF League Prize Package

Prize Package Includes:

1 small-framed GLOCK pistol	@ \$403 =	403
8 winners' plaques	@ 23 =	184
3 field knives	@ 33 =	99
3 t-shirts	@ 8 =	24
6 caps	@ 13 =	<u>78</u>
		\$788 value

**** We can do travel coffee cups in lieu of plaques but they will only have GSSF Indoor league on them and no specific match info or what category the participant won in **** Please specify on your contract if you would like plaques or the travel mugs. *****

PLUS:

- > GLOCK will advertise Match dates to GSSF members within your mailing area
- > GLOCK will provide one box of 200 NRA D-1-T targets
- > Names of winners will be published in *The GLOCK Report* and on www.gssfonline.com

WHEN A MATCH IS SCHEDULED, GLOCK WILL:

- Advertise Match dates to GSSF members within that area before the start date
- Ship Match prize package
- Supply GSSF Registration/Membership applications
- Supply a Course of Fire and targets
- Publish Match and Match winners in *The GLOCK Report*, and on the www.gssfonline.com upon completion and return of the final match results by the range.



WHEN A MATCH IS SCHEDULED, RANGE WILL:

Submit a signed and completed contract with dates and payment in full and only then will the match series be posted.

Advertise Match to the Ranges local audience

Register/Sign-up GSSF members at door

Administer Match following established GSSF safety rules

Score Match as directed by GSSF

Award Prizes using the Lewis System for the Stock Class with all other category winners based on performance.

Return ALL GSSF Membership/Registration forms to GLOCK immediately after every monthly match.

Furnish winners names of class A, B, C, Unlimited, special recognition categories and the give-away pistol to GLOCK for publication using the form provided in the paperwork.

GENERAL INFORMATION

GSSF Membership is required of all competitors. New Individual memberships are **\$35.00** the first year for non-Guardian and **\$25.00** the first year for Guardians; renewals are **\$25.00** the first year. Guardians are those who are in a "Hazardous public service" position, their equivalents in private industry, or eligible retirees thereof. Memberships may be obtained from GLOCK, INC., by mail, publication and/or online or at the match with check, money order, Visa, MasterCard, or Discover credit cards.

The participating Range will extend the League Match over a 3-month period and charge each member-shooter from \$10 - \$20 per match, which the Range will retain. Competitors must compete in at least 2 of 3 matches to qualify for prizes. A copy of the Course of Fire is provided with the Match Agreement. Scoring for STOCK division will be done on the Lewis Scoring System, and Plaques awarded to First Place A, B, and C Class winners. Unlimited division is based entirely on performance, with one Plaque awarded to first place. Special recognition plaques will be award to the following, if applicable; First Place Lady, First Place Senior, and First Place Junior *** (PLEASE SPECIFY ON YOUR CONTRACT WHAT SPECIAL RECONITION PLAQUES YOU NEED) ***. Remaining prizes may be awarded to other shooters. The prize pistol will be awarded randomly by drawing, raffle or other means. Range agrees to abide by GSSF League Match Safety Rules, a copy of which is provided in the Indoor Range Match Package.

Thanks,

GSSF Indoor League Coordinator
Stephanie Stone
Email: stephanie.stone@glock.us



The host, _____, has agreed to be the host of the GLOCK Sport Shooting Foundation (GSSF) League Match Series on _____, _____, and _____ (dates), from _____ (AM/PM) to _____ (AM/PM)

Range Host Contacts (please list two range staff/employees in charge of administering match)

Name _____ Phone _____ E-Mail _____

Name _____ Phone _____ E-Mail _____

Range Address _____

Choice of small frame GLOCK (recommended – faster turnaround) or Award Certificate for match:
_____ (Specify model)

GSSF Indoor League Coordinator must confirm date preferences.

THE HOST AGREES TO THE FOLLOWING:

1. Remit \$500 administrative fee. **Without a paid, signed contract the Range Host understands that no match dates will be posted and no merchandise or supplies will be shipped.**
2. To advertise or otherwise promote the Match to assure maximum participation during three (3) Matches over a 3-month period.
3. To register/signup GSSF members at the door. GSSF Membership is required of all competitors. GSSF Membership forms and Score sheets must be returned immediately to GLOCK after every monthly match.
4. Competitors must compete in at least two (2) of the three (3) Matches to qualify for prizes. The Range may charge a fee (\$10-20) for each Match, which they retain.
5. Follow the GLOCK Course of Fire and use targets provided.
6. Administer the Match following established GSSF Safety Rules. Require that all Range Officers, competitors, and spectators present at the Match sign a Liability Release form supplied by the GSSF League. Any individual refusing to sign the Liability Release will be required to leave the Match premises.
7. Score the Match using the Lewis System.
8. Award prizes. We require that selection of the winner(s) be administered by an impartial third party.
9. Furnish winners names of class A, class B, class C, Unlimited, special recognition categories *** (PLEASE SPECIFY ON YOUR CONTRACT WHAT SPECIAL RECONITION PLAQUES YOU NEED) *** and the give-away pistol to GLOCK for publication using the form provided in the paperwork.
10. Return ALL GSSF Membership/Registration forms to GLOCK immediately after every monthly match.



**** We can do travel coffee cups in lieu of plaques but they will only have GSSF Indoor league on them and no specific match info or what category the participant won in *** Please specify on your contract if you would like plaques or the travel mugs. ***** _____plaques _____travel mug

GLOCK AGREES TO THE FOLLOWING:

- 8. Advertise Match dates to GSSF members within your local area.
- 9. Ship Match prize package.
- 10. Supply GSSF Registration/Membership applications.
- 11. Supply a Course of Fire and targets.
- 12. Supply GSSF League Safety Rules.
- 13. Supply advertising poster for in store promotional use.
- 14. Publish Series Winners in The GLOCK Report and on www.gssfonline.com

Agreed: _____ Agreed: _____
Signed on behalf of the Range GSSF Indoor League Coordinator – Stephanie Stone

Name: _____ Name: _____
Name, typed or printed Stephanie Stone

Date: _____ Date: _____



LIABILITY RELEASE

The undersigned, a Range Officer, Spectator or Competitor at the GLOCK, INC./ GLOCK SPORT SHOOTING FOUNDATION (hereinafter referred to as "GSSF") LEAGUE match (hereinafter referred to as the "Match") held at the _____ Range located in _____ (hereinafter referred to as "Host"), on _____, hereby agrees as follows:

In consideration that GSSF and the Host allow the undersigned to act as a Range Officer and/or to observe and/or to compete in the Match, the undersigned hereby irrevocably and unconditionally releases GSSF and the Host, and their agents, officers, directors, trustees, assigns, employees, and members from any and all claims, rights, demands, and causes of action, whether in contract, tort or otherwise, which the undersigned has or may have, whether now or in the future, arising out of any contact, occurrence, event, act or omission which may occur as a direct or indirect consequence of the undersigned's attendance or participation in the Match and any and all other matches, sponsored by, held at the direction of, or in any way connected with GSSF League, that the competitor may attend in the future.

If the undersigned is observing the Match, but is not participating in the Match, the undersigned agrees to wear appropriate eyesight and hearing protection at all times while the undersigned is in the vicinity of any live firing of firearms.

If the undersigned is acting as a Range Officer and/or Competing in the Match, the undersigned hereby warrants that prior to his or her participation in the Match, that he or she has at a previous GSSF match; or will, prior to participating in this Match; attend a "Competitor Briefing" conducted by the Range personnel officiating the Match. While participating in the Match, the undersigned agrees to abide by the Safety and Match Procedures promulgated at the "Competitor Briefing".

The undersigned understands that GSSF League personnel may take photographs of Match activities, and that the undersigned may be included in such photographs. If GSSF League subsequently wishes to utilize such photographs in its various publications, the undersigned hereby consents to such publication of his or her likeness.

Acknowledged and Agreed this _____ day of _____, _____

Print Full Name

Signature

If participant is a minor (<18) name/signature of Parent or Guardian:



Classification System for Indoor League Matches

It is our intention to bring more consistency between the outdoor and indoor league matches and to provide competition on a “level playing field” during all GSSF Competitions. At the request of the majority of members contacting us, we have divided firearms into two classes - Stock and Unlimited. In the future, the Lewis Prize Allocation System will be used with all stock shooters. An additional First Place Plaque will be provided for the top score in the Unlimited and High Lady division. Below are guidelines for classification:

Stock Class Weapons

GLOCK Firearms are considered to be “Stock” if all firearm components are or ever have been available from GLOCK, Inc. Additional allowable modifications are specified below:

- “Hogue-Grip” type sleeves, “A-Grip” panels, “skateboard tape” or other grip-enhancing materials that do not materially alter the function of the stock firearm
- Slide and barrel stripping and/or refinishing
- Pearce Grip, Inc. grip extenders only on subcompact and slim-line models
- Aftermarket replacement non-metallic base plates on magazines
- Post and notch sights (“patridge” sights) excluding any sight requiring slide modifications. Please note that fiber-optic and express sights are approved.

Any combination of GLOCK produced firearm parts that do not, in the sole opinion of the Range Master, result in a significant competitive advantage in the stock division are safe to utilize.

Unlimited Class Weapons – Does not qualify for the special recognition patches – “500 or 250 Club”

The following modifications will necessitate placement of the firearm in the Unlimited Class:

- Any non-post and notch sights including, but not limited to, “Ghost Ring” or laser, electronic and optical sights.
- Wrap-around “grip sleeves” on magazines
- Aftermarket component parts and barrels
- Recoil spring guide/recoil reducer assemblies
- Aftermarket extended slide stop levers
- Firing pins (modified/aftermarket)
- Connectors (modified/aftermarket)
- Metallic magazine well “funnels” or “slugs”
- Lights or other barrel weights
- Any modification deemed by the Range Master to create an unfair competitive advantage.

1st Place Lady Class, Senior Class and Junior Class

All are determined by the highest score in Stock Class by a female, senior or junior competitor. Where there are no competitors in Stock Class, there is no eligibility to be awarded.



Original Course of Fire

Competitor faces NRA "D1" paper targets at distances of 15, 25, 50, and 75 Feet **OR** 5, 7(21 ft), 15 and 25 yards with firing timed as follows:

****500 CLUB qualifying course of fire****

D-1 5 rounds 25 feet **OR** 7(21ft) yards 15 seconds

D-1 5 rounds 50 feet **OR** 15 yards 15 seconds

D-1 10 rounds 15 feet **OR** 5 yards 15 seconds

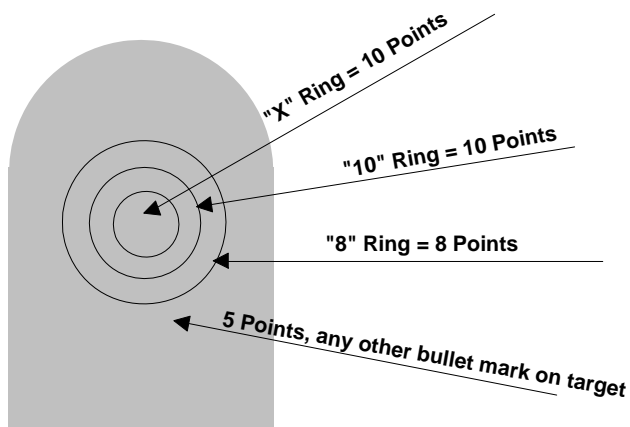
CHANGE TARGETS NOW

D-1 10 rounds 25 feet **OR** 7(21ft) yards 15 seconds

D-1 10 rounds 50 feet **OR** 15 yards 15 seconds

D-1 10 rounds 75 feet **OR** 25 yards 30 seconds

SCORING TARGET



THERE IS NO PENALTY FOR MISSES OR UNFIRED SHOTS.



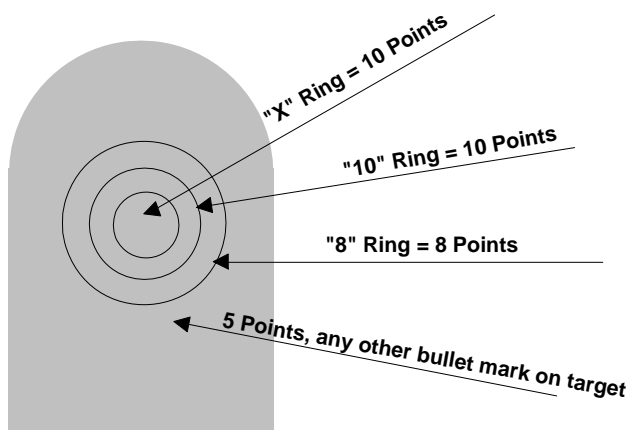
COURSE OF FIRE OPTION A
EASE AND EFFICIENCY FOR RANGE OFFICER

Competitor faces NRA "D1" paper targets at distances of 15, 25, 30, 50, and 75 Feet
OR 5, 7(21ft), 10, 15 and 25 yards, with firing timed as follows:

500 CLUB qualifying course of fire

D-1	10 rounds	15 feet OR	5 yards	15 seconds
D-1	10 rounds	25 feet OR	7(21ft) yards	15 seconds
CHANGE TARGETS NOW				
D-1	10 rounds	30 feet OR	10 yards	15 seconds
D-1	10 rounds	50 feet OR	15 yards	15 seconds
D-1	10 rounds	75 feet OR	25 yards	15 seconds

SCORING TARGET



THERE IS NO PENALTY FOR MISSES OR UNFIRED SHOTS.



COURSE OF FIRE OPTION B

FOR BEGINNER SHOOTERS OR FOR SHORT RANGES

Competitor faces NRA "D1" paper targets at distances of 9, 15, 25, 30 and 50 feet OR 3, 5, 7(21ft), 10, and 15 yards, with firing timed as follows:

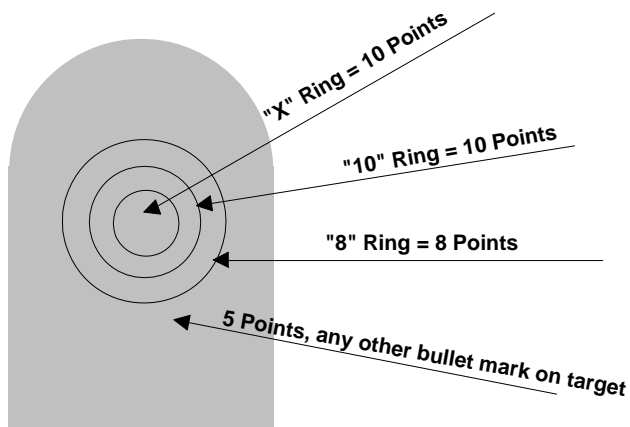
NOT 500 CLUB qualifying course of fire - NO 25 Yard Line COF

D-1	10 rounds	9 feet OR	3 yards	15 seconds
D-1	10 rounds	15 feet OR	5 yards	15 seconds

CHANGE TARGETS NOW

D-1	10 rounds	25 feet OR	7(21ft) yards	15 seconds
D-1	10 rounds	30 feet OR	10 yards	15 seconds
D-1	10 rounds	50 feet OR	15 yards	15 seconds

SCORING TARGET



THERE IS NO PENALTY FOR MISSES OR UNFIRED SHOTS.



COURSE OF FIRE OPTION C

EXPERIENCED SHOOTERS

Competitor faces NRA "D1" paper targets at distances of 25, 30, 50, and 75 Feet **OR** 7(21ft), 10, 15 and 25 yards, with firing timed as follows:

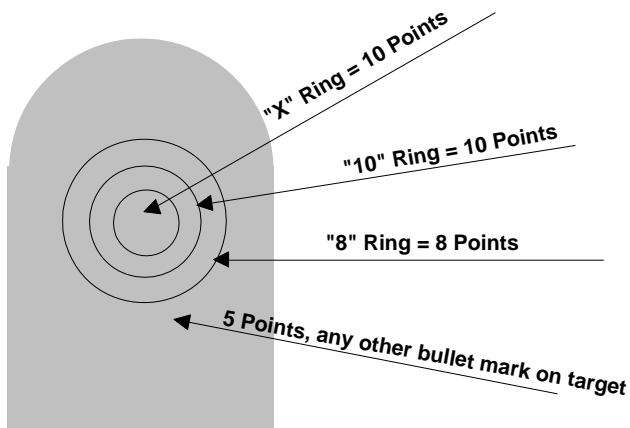
500 CLUB qualifying course of fire

D-1	10 rounds	30 feet OR 10 yards	15 seconds
D-1	10 rounds	75 feet OR 25 yards	15 seconds

CHANGE TARGETS NOW

D-1	10 rounds	75 feet OR 25 yards	15 seconds
D-1	10 rounds	50 feet OR 15 yards	15 seconds
D-1	10 rounds	25 feet OR 7(21ft) yards	15 seconds

SCORING TARGET



THERE IS NO PENALTY FOR MISSES OR UNFIRED SHOTS.



COURSE OF FIRE OPTION D

SUPPORT and DOMINANT HAND

Competitor faces NRA "D1" paper targets at distances of 9, 15, 25, 30 and 50 feet OR 3, 5, 7(21ft), 10, and 15 yards, with firing timed as follows:

****NOT 500 CLUB qualifying course of fire** - NO 25 Yard Line COF**

D-1 10 rounds 9 feet **OR** 3 yards 15 seconds

D-1 **SUPPORT** 10 rounds 15 feet **OR** 5 yards 15 seconds

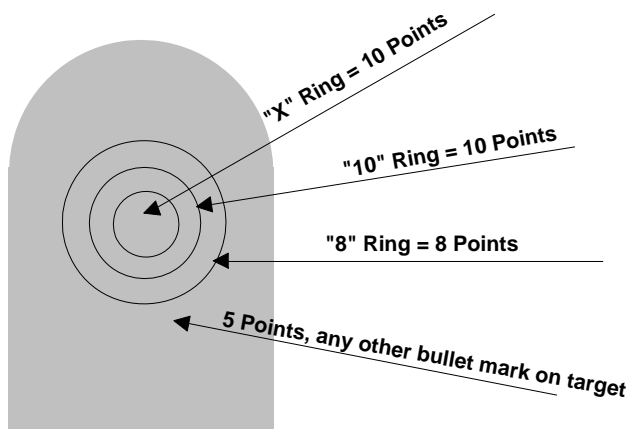
CHANGE TARGETS NOW

D-1 **DOMINANT** 10 rounds 25 feet **OR** 7(21ft) yards 15 seconds

D-1 10 rounds 30 feet **OR** 10 yards 15 seconds

D-1 10 rounds 50 feet **OR** 15 yards 15 seconds

SCORING TARGET



THERE IS NO PENALTY FOR MISSES OR UNFIRED SHOTS.

****MUST BE SHOT NONSUPPORTED****



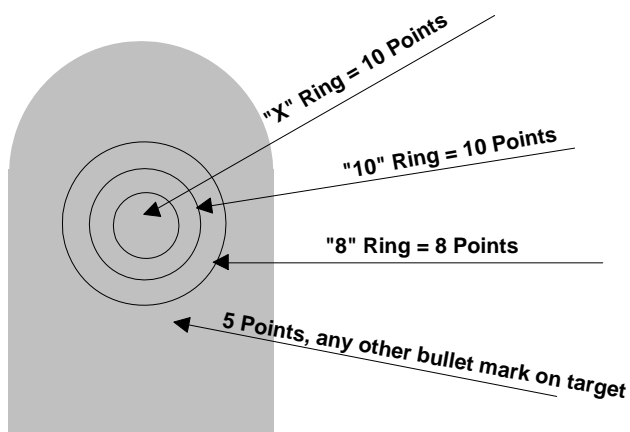
COURSE OF FIRE OPTION E

POCKET GLOCKS (Does not qualify for 500 Club) **250 CLUB **

Competitor faces NRA "D1" paper targets at distances of 9, 15, 25, 30 and 50 feet OR 3, 5, 7(21ft), 10, and 15 yards, with firing timed as follows:

D-1	5 rounds	9 feet OR	3 yards	15 seconds
D-1	5 rounds	15 feet OR	5 yards	15 seconds
CHANGE TARGETS NOW				
D-1	5 rounds	25 feet OR	7(21ft) yards	15 seconds
D-1	5 rounds	30 feet OR	10 yards	15 seconds
D-1	5 rounds	50 feet OR	15 yards	15 seconds

SCORING TARGET



THERE IS NO PENALTY FOR MISSES OR UNFIRED SHOTS.



PRIZE PISTOL DRAWING

Recently several Members have contacted us with concerns about match/range personnel winning the gun certificate or the prize pistol. GLOCK Professional holds the following positions on this issue.

- We require that selection of the winner(s) be administered by an impartial third party.
- The protection of a professional appearance needs to be upheld at all times.
- Allowing employee's names to be included in the drawing has a great potential to raise questions among participants and ultimately affect the numbers of match entries.
- The best way to safeguard against questioning of the prize drawing is for match/range personnel to not be included in the drawing.
- If match/range personnel are allowed to be included in the drawing for the certificate or the pistol, an unquestionably fair and foolproof method of drawing must be devised and executed in the presence of all participants.
- A policy for this must be established for the protection against the appearance of impropriety for both the Range and the GSSF.

While it is up to the host range to make a decision on the practice of these guidelines, the GSSF will still stand behind our beliefs on this matter. If you have any questions or concerns you may contact me at 770-437-4780 or Stephanie.stone@glock.us

Sincerely,
GSSF Indoor League Coordinator
Stephanie Stone



MODIFIED GLOCKS COMPETING AT INDOOR LEAGUE MATCHES

We have established guidelines for the participation of people who use modified GLOCK firearms at Indoor League Matches as follows:

- Shooters using stock GLOCKS or GLOCKS with acceptable modifications will be ranked in Stock GLOCK division using the Lewis Prize Allocation System.
- The process for awarding plaques for Classes A, B, and C has not changed.
- Acceptable modifications coincide with the GSSF Outdoor League specifications and are outlined in section 40.0 of The GLOCK Report .
- Competitors choosing to shoot modified GLOCK will now be placed in Unlimited division and the top shooter of this group will receive a separate plaque.
- This plaque will not be automatically sent to you. Please let me know if you have competitors in Unlimited, and I will have a plaque made and shipped to you.
- 1st Place Lady Class, Senior Class and Junior Class are determined by the highest score in Stock Class by a female, senior or junior competitor. Where there are no competitors in Stock Class, there is no eligibility to be awarded. Please contact me for these plaques to be sent to you, it is not automatic.

This change will be announced to GSSF members in the next issue of The GLOCK Report. A copy of the upcoming announcement is included in this mailing.

If you are currently hosting an Indoor League Match Series, I need to know if you have any competitors competing in Unlimited or special recognition categories. If so advised, I will get a plaque to you as soon as possible for you to award at the final match.

Please let me know if you have questions or concerns. As always, I am glad to assist in any way possible.

Sincerely,
GSSF Indoor League Coordinator
Stephanie Stone

YOUTH HANDGUN SAFETY ACT NOTICE

- (1) The misuse of handguns is a leading contributor to juvenile violence and fatalities.**
- (2) Safely storing and securing firearms away from children will help prevent the unlawful possession of handguns by juveniles, stop accidents, and save lives.**
- (3) Federal law prohibits, except in certain limited circumstances, anyone under 18 years of age from knowingly possessing a handgun, or any person from selling, delivering, or otherwise transferring a handgun to a person under 18.**
- (4) A knowing violation of the prohibition against selling, delivering, or otherwise transferring a handgun to a person under the age of 18 is, under certain circumstances, punishable by up to 10 years in prison.**

FEDERAL LAW

**The Gun Control Act of 1968, 18 U.S.C. Chapter 44, provides in pertinent part as follows:
18 U.S.C. 922(x)**

- (x) (1) It shall be unlawful for a person to sell, deliver, or otherwise transfer to a person who the transferor knows or has reasonable cause to believe is a juvenile—
 - (A) a handgun; or
 - (B) ammunition that is suitable for use only in a handgun.
- (2) It shall be unlawful for any person who is a juvenile to knowingly possess--
 - (A) a handgun; or
 - (B) ammunition that is suitable for use only in a handgun.
- (3) This subsection does not apply to--
 - (A) a temporary transfer of a handgun or ammunition to a juvenile or to the possession or use of a handgun or ammunition by a juvenile if the handgun and ammunition are possessed and used by the juvenile-
 - (i) in the course of employment, in the course of ranching or farming related to activities at the residence of the juvenile (or on property used for ranching or farming at which the juvenile, with the permission of the property owner or lessee, is performing activities related to the operation of the farm or ranch), target practice, hunting, or a course of instruction in the safe and lawful use of a handgun;
 - (ii) with the prior written consent of the juvenile's parent or guardian who is not prohibited by Federal, State, or local law from possessing a firearm, except--
 - (I) during transportation by the juvenile of an unloaded handgun in a locked container directly from the place of transfer to a place at which an activity described in clause (i) is to take place and transportation by the juvenile of that handgun, unloaded and in a locked container directly from the place at which such an activity took place to the transferor; or
 - (II) with respect to ranching or farming activities as described in clause (i), a juvenile may possess and use a handgun or ammunition with the prior written approval of the juvenile's parent or legal guardian and at the direction of an adult who is not prohibited by Federal, State or local law from possessing a firearm;
 - (iii) the juvenile has the prior written consent in the juvenile's possession at all times when a handgun is in the possession of the juvenile; and
 - (iv) in accordance with State and local law;
 - (B) a juvenile who is a member of the Armed Forces of the United States or the National Guard who possesses or is armed with a handgun in the line of duty;
 - (C) a transfer by inheritance of title (but not possession) of a handgun or ammunition to a juvenile; or
 - (D) the possession of a handgun or ammunition by a juvenile taken in defense of the juvenile or other persons against an intruder into the residence of the juvenile or a residence in which the juvenile is an invited guest.
- (4) A handgun or ammunition, the possession of which is transferred to a juvenile in circumstances in which the transferor is not in violation of this subsection shall not be subject to permanent confiscation by the Government if its possession by the juvenile subsequently becomes unlawful because of the conduct of the juvenile, but shall be returned to the lawful owner when such handgun or ammunition is no longer required by the Government for the purposes of investigation or prosecution.